

Material specification

Our article no. 0/505 flip top cap 28/410 - 3,6 mm

Material specification

Mosten MT 935

supplier

WKI Kunststoffe GmbH
Feldtmannstr. 147
13088 Berlin

Colour specification

-

supplier

-

GramßGmbH Kunststoffverarbeitung Spechtsbrunn Gewerbegebiet Fichtig 2 96515 Sonneberg	Declaration of conformity for materials in contact with food and groceries	QMU 0607 Stand: 06.2018/Rev.04 Erstellt: G. Wegner / QMB Seite 1-2
---	---	--

Acidic media (pH-value 7pH up to 4pH)

Sort/sorts of groceries or procedures for which the material is not suitable

See specifications of our material suppliers

Caustic media

Test requirements: simulant B (acetic acid 3 weight%)

Our products comply with ordinance 94/62/EC.

In our products no functional plastic barrier is used.

The tracability of our products according to ordinance (EG) no. 1935/2004 is ensured by roll number in connection with the production date.

This confirmation refers to the product as described. The conformity check goes along with the regulations of the ordinance (EU) no. 10/2011, if the conditions for food contact are considered, the product complies with the guidelines. Deviation from the conditions for food contact transfers responsibility to the user.

We particularly point out that in the case of printing the contact between the colour and the groceries have to be avoided.

This statement refers to the raw materials and colors (master-batch) from our suppliers. The data are based on the current knowledge and explanations of our suppliers.

Spechtsbrunn, den 15.06.2018

GRAMSS GmbH
Kunststoffverarbeitung
Spechtsbrunn - Gewerbegebiet Fichtig 2
Tel: 036703/7005-0 Fax: 7005-70
96515 Sonneberg

valid until cancellation by up-dating

15.06.18

Gramß GmbH Kunststoffverarbeitung Spechtsbrunn Gewerbegebiet Fichtig 2 96515 Sonneberg	Declaration of conformity for materials in contact with food and groceries	QMU 0607 Stand:06.2018/Rev.04 Erstellt: G. Wegner / QMB Seite 1-2
--	---	---

Gramß GmbH
 Kunststoffverarbeitung
 Spechtsbrunn
 Gewerbegebiet Fichtig 2

D 96515 Sonneberg

We herewith declare that all our items comply with the legal regulations of the consumer goods ordinance (respectively equivalences in the European plastics directive) as well as ordinance (EU) no. 1935/2004 in its current version.

The entire migration as well as the specific migration are below the legal critical value. The examination goes along with ordinance (EU) no. 10/2011, the guidelines referring to the series of standards EN 1186-1 ff as well as ordinance 82/711/EWG, 85/572/EWG.

The raw materials used by us comply with ordinance (EU) no. 10/2011.

The following materials with limitation and/or specification are used for our products:

Material description	Limitation
According to attached specification	according to attached data sheets


Reference to "Dual-Use-Materials" :

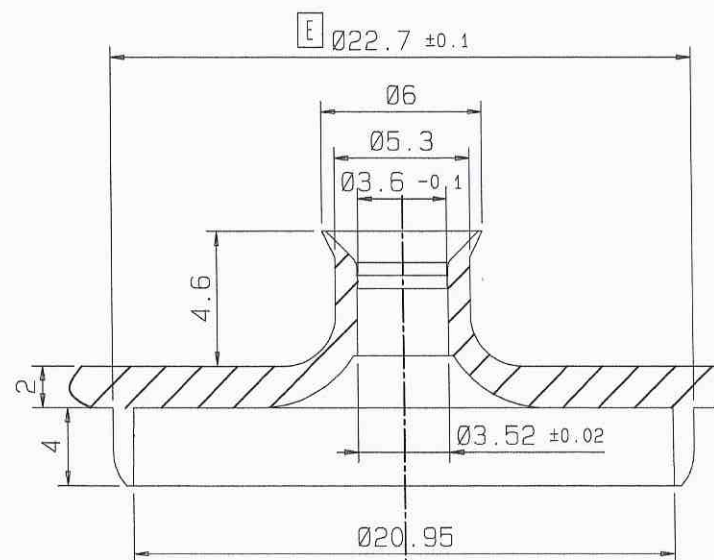
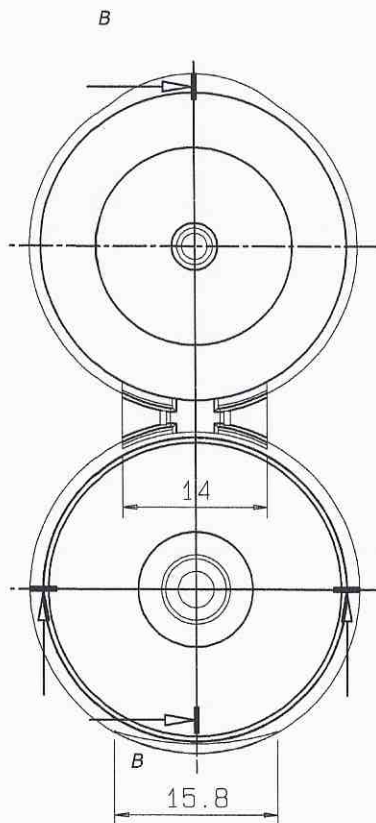
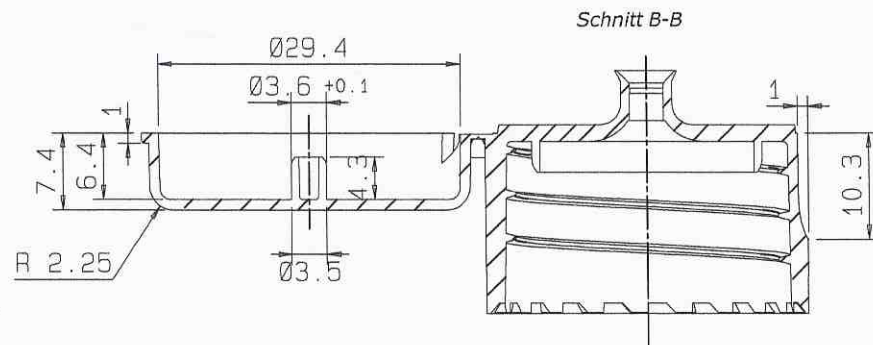
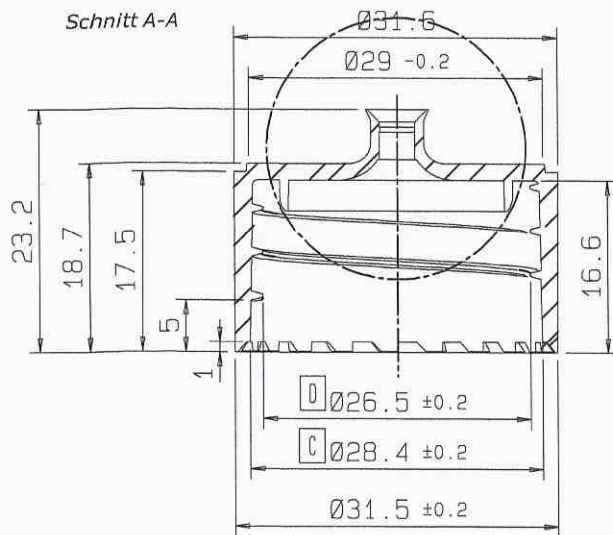
Substances that are allowed as food additives do not migrate or at such a low quantity that they have no technological effect in case of a migration.

Specifications for the designated use or limitations:

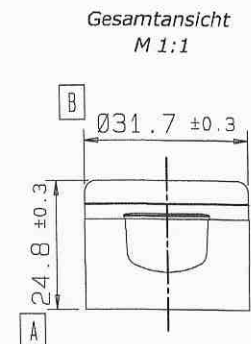
Sort/sorts of groceries or procedures suitable for the material See
 specification of our raw material suppliers

Each long-term contact at room temperature or below room temperature including caustification up to 70 °C up to 2 hours or caustification up to 100°C up to 15 min. The food contact conditions described in OM 1 and OM 3 also refer to examination OM2.

16.06.18 



Detail X:
M 5:1



Wechselausführung Lochausgang kleiner möglich
allgemeine Entformung 0°30'
Fehlende Maße sind den 3-D Daten zu entnehmen



A-E = Prüfmaße

Anzahl Kavitäten	Stück	Maßstab 2:1 1:1 5:1	Gewicht: 4.8 ± 0.2gr.					
		Format A3						
		Werkstoff PP						
		2009	Datum	Name	05.11	T. Gramß	Prüfmaße angepasst	
		gez.	14.01.	Brüheim				
Passung	Qualität	Abmaße	gepr.		30.09.10	Brüheim	Prüfmasse festgelegt	a
			Ngepr.		Datum	Name	Änderungen	Index
Gramss Fichtig 2 98743 Spechtsbrunn				Benennung Schraubverschluß KD DIN 28 Trompete		Zeichn.-/Auftrags-Nr. 2007-075		00
				Projekt Bezeichnung 0/505				

PP MOSTEN[®] MT 935

MATERIAL SPECIFICATION

PND 33-301 Polypropylene MOSTEN - Part 2

RANDOM COPOLYMER FOR INJECTION MOULDING

Characteristics

MOSTEN MT 935 is a high-flowing random copolymer containing antistatic and clarifying agents, intended for injection moulding of thin-walled articles. Combined stabilization system ensures high transparency and antistatic finish of the products. It is suitable for manufacture of food packages and household articles, moulded especially into both-side polished moulds.

Hygienic approval

MOSTEN MT 935 meets the hygienic requirements on materials and articles intended for contact with foodstuffs according to Regulation (EC) 1935/2004 of the European Parliament and of the Council, as well as according to Commission Regulation (EU) No 10/2011 including changes and additions.

Flammability according to EN 13501-1: class F

International designation ISO 19069-PP-R,,MTZ,10-05-400

GUARANTEED QUALITY PARAMETERS

Parameter	Unit	Value	Test method
Melt flow rate (230 °C/2,16 kg)	g/10 min	32 - 42	ISO 1133-1
Volatile matter content	%	<0,1	ISO 1269
Yellowness index	-	standard A - B	ASTM D 1925
Granulometry	µc/g	25 - 60	Part 1: cl. 4.3.1.2
Yield stress	MPa	>25	ISO 527-1, 2
Flexural modulus of elasticity	MPa	>1000	ISO 178
Charpy notched impact strength at 23 °C at 0 °C	kJ/m ²	>4 >1	ISO 179-1
Heat deflection temperature (HDT)	°C	>46	ISO 75-1, 2

Issued by: Product Intelligence & TS Dept.

Phone: +420 476 162 912

Replaced edition: 04/2012

Issued: 04/2016



ANNOUNCEMENT
POLYPROPYLENE MOSTEN
(C3/C2 COPOLYMER)

Date of issue: 01.12.2010

revision: 15.07.2016 – 7th issue
replaces: 01.06.2015 – 6th issue

Announcement

according to Art. 32 of the Regulation (EC) No 1907/2006 of the European Parliament and of the Council (REACH)

The supplied product meets neither the criteria for classification as a dangerous product according to the Regulation (EC) No 1272/2008 of the European Parliament and of the Council (CLP) nor any of the other conditions set in Art. 31 of the Regulation (EC) No 1907/2006 of the European Parliament and of the Council (REACH), and therefore there is no obligation to provide MSDS to the customer.

However the supplier is, according to Art. 32 of the Regulation (EC) No 1907/2006 of the European Parliament and of the Council (REACH), obliged to provide the information below.

1. SUPPLIER

UNIPETROL RPA, s.r.o., Záluží 1, 436 70 Litvínov, Czech Republic

☎: +420 476 161 111, fax: +420 476 619 553, unipetrolrpa@unipetrol.cz, www.unipetrolrpa.cz

Polyolefin's Unit Director: ☎: +420 476 165 608, lukasz.silski@unipetrol.cz

Head of Customer Service: ☎: +420 476 162 006, lucie.markova@unipetrol.cz

Product Intelligence and TS: ☎: +420 476 166 247, martin.malicek@unipetrol.cz

☎: +420 476 162 912, olga.mertlova@unipetrol.cz

2. REGISTRATION

according to Title II of the Regulation (EC) No 1907/2006 of the European Parliament and of the Council (REACH)

According to Art. 2(9) of the Regulation (EC) No 1907/2006 of the European Parliament and of the Council (REACH) the product is not subject to registration according to Title II of this Regulation. The monomers are subject to registration according to Art. 6(3), if their content in the polymer is at least 2 % wt.

The product identifiers are as follows:

IDENTIFIER	IDENTIFICATION NAME		IDENTIFICATION NUMBER
Registration	Copolymer	Copolymer propylene/ethylene	Registration number: it is not subject to registration
	Monomer	Propylene	01-2119447103-50-0027
	Monomer	Ethylene	01-2119462827-27-0036
Harmonized classifications	not on the list		not on the list
List of ECHA classification	1-Propene, polymer with ethene ethylene-propylene copolymer		-
International chemical name	Propylene/Ethylene Copolymer		CAS number: 9010-79-1
Types	EB 501, EH 501, GB 503, GB 504, GB 506, MA 524, MA 612, MA 712, MA 745, MB 720, XB 515, XH 601, YY 000, YY 500, MB 812, MT 825, MT 935, MT 950, XB 800, XB 801, YY 800		

3. AUTHORISATION

according to Title VII of the Regulation (EC) No 1907/2006 of the European Parliament and of the Council (REACH)

The product is not given on the authorization list in Annex XIV of the Regulation (EC) No 1907/2006 of the European Parliament and of the Council (REACH), and therefore there is no obligation to apply for authorization for its production and use.

4. RESTRICTION

according to Title VIII of the Regulation (EC) No 1907/2006 of the European Parliament and of the Council (REACH)

The product is not subject to any restrictions stated in Annex XVII of the Regulation (EC) No 1907/2006 of the European Parliament and of the Council (REACH) on production, placing on the market or use.

5. OTHER IMPORTANT INFORMATION FOR RISK MANAGEMENT

None.

6. OPTIONAL INFORMATION

The following information and recommendations are not obligatorily provided under Article 32 of the Regulation (EC) No 1907/2006 of the European Parliament and of the Council (REACH). This information is provided in good faith. We recommend to take this information into account and to follow the instructions.

- Available data on physical and chemical properties of the product.
The product is capable of burning, but hardly ignitable. Dust is explosive. The product may be charged electrostatically.

- Physical state at 20°C, colour, odour	solid colourless and odourless product
- Density [kg.m ⁻³]	900-910
- Melting point [°C]	125-168
- Bulk density (granules) [kg.m ⁻³]	450-600
- Flash point (granules) [°C]	350-360
- Ignition temperature (granules) [°C]	380-390
- Ignition temperature (settled dust) [°C]	350
- Ignition temperature (turbid dust) [°C]	440
- Minimal initiatory ignition energy [J]	0,08
- Lower explosion limit (dust) [g.m ⁻³]	32
- Combustion heat [MJ.kg ⁻¹]	44-46

- Instructions for handling and storage

For safe handling and storage, all the fire-fighting measures and recommended personal protective means (safety goggles, protective gloves, working clothes, sealed footwear) shall be observed.

Storing facilities shall meet the requirements for fire safety of constructions and electrical facilities and shall be in conformity with valid legal regulations. Avoid contact of the product with incompatible materials, with open flame and high temperatures. To maintain the product quality, do not expose it to moisture and direct sunlight. We recommend to store the product in dry, ventilated, roofed storing facility, the premises of which are protected against direct sunlight, or to secure the above-mentioned conditions by another suitable way (tightly closed containers or packaging). The recommended range of storage temperatures is from -20 °C to +50 °C. At below-zero temperatures, it is necessary to pay increased attention to handling of the product. The product distance from any source of heat shall be at least one meter. The recommended storage time for product in closed (sealed) bags at defined storage conditions is maximum one year. At longer storage time, it is recommended to check the material properties prior to processing.

Statement. The data contained are based on the present state of knowledge and current legislation and are in accordance with the legislation in force at the time of document developing. The user is responsible for complying with the requirements of relevant regional legislation.

MATERIAL DECLARATION

Product: PP MOSTEN MT 935

We declare, that this product shows following values of the migration of certain elements:

Element	Unit	Value obtained	Limit value
Aluminium, Al	mg/kg	0,28 ± 0,07	70 000
Antimony, Sb	mg/kg	0,003 ± 0,00045	560
Arsenic, As	mg/kg	< 0,02	47
Barium, Ba	mg/kg	< 0,03	18 750
Boron, B	mg/kg	< 0,5	15 000
Cadmium, Cd	mg/kg	< 0,001	17
Chromium (III), Cr ^{III}	mg/kg	< 0,02	460
Chromium (VI), Cr ^{VI}	mg/kg	< 0,02	0,2
Cobalt, Co	mg/kg	< 0,01	130
Copper, Cu	mg/kg	< 0,03	7 700
Lead, Pb	mg/kg	< 0,01	160
Manganese, Mn	mg/kg	< 0,05	15 000
Mercury, Hg	mg/kg	< 0,01	94
Nickel, Ni	mg/kg	< 0,03	930
Selenium, Se	mg/kg	< 0,02	460
Strontium, Sr	mg/kg	< 0,01	56 000
Tin, Sn	mg/kg	< 0,05	180 000
Organic tin, Sn	mg/kg	< 0,05	12
Zinc, Zn	mg/kg	< 0,05	46 000

The product is not classified as a dangerous substance/mixture and it does not contain any dangerous substances/mixtures, any nitrosamines or nitrosable substances and any allergenic fragrances.

PP MOSTEN MT 935 meets the requirements of the Directive 2009/48/EC on the safety of toys, Annex II, part III *Chemical Properties* and its subsequent amendments and EN 71-3:2013 *Safety of toys – Part 3: Migration of certain elements*.

The product meets the requirements of the standard EN 71-9+A1 *Safety of toys – Part 9: Organic chemical compounds – Requirements*.

Certified for UNIPETROL RPA by:

Jiří Haifler
UNIPETROL SERVICES, s.r.o.
HSE&Q Dpt., CZ-43670 Litvínov
E-mail: jiri.haifler@unipetrol.cz
2014-03-20

Disclaimer:

Ultimately customers must make their own determination that their use of our product is safe, lawful and technically suitable in their intended applications.

No liability can be accepted in respect of the use of UNIPETROL RPA' products in conjunction with other materials. The information contained herein relates exclusively to our products when not used in conjunction with any third party materials.

This document was prepared automatically through computer and therefore is not signed.

CONFIDENTIAL!

DECLARATION OF COMPLIANCE

Product: PP MOSTEN MT 935

We certify that this product fulfils the requirements on plastic materials and articles intended to come into contact with foodstuffs, as described in:

EU:

Regulation (EC) No 1935/2004 of the European Parliament and of the Council,
Commission Regulations (EC) No 1895/2005, 2023/2006,
Commission Regulations (EU) No 10/2011 as amended by regulations (EU) 1282/2011, 1183/2012,
202/2014, 865/2014, 2015/174 and Commission Implementing Regulation (EU) No 321/2011.

The product meets the requirements on OML in food simulants A, B and D2 for test conditions OM 2 (40 °C/10 days, test covers also OM 1 and OM 3) and SML of monomers, other starting substances, additives, polymer production aids, Ba, Co, Cu, Fe, Li, Mn, Zn and primary aromatic amines in food simulant D2 for conditions 60 °C/10 days.

Substances with restrictions/specifications:

Ref. No 34650 SML = 5 mg/kg;

organic compound of lithium (secret component) SML = 0,6 mg/kg (expressed as Li).

Dual use additives (Food additives/flavourings): E 471 (Ref. No 56585, CAS No 31566-31-1),
max. 0,17 %.

USA:

FDA, CFR, Title 21 (4/2016) 177.1520 (a)(3)(i), (b) and (c)3.1a Olefin polymers.

The temperature for contact of finished articles with foodstuffs must not exceed 100 °C.

Eva Budska

UNIPETROL RPA, s.r.o., Unit EKO CZ-43670 Litvínov

E-mail: eva.budska@unipetrol.cz

2016-05-30

Disclaimer:

End users must make their own determination that their use of our product is safe, lawful and technically suitable in their intended applications.

No liability can be accepted in respect of the use of UNIPETROL RPA products in conjunction with other materials. The information contained herein relates exclusively to our products when not used in conjunction with any third party materials.