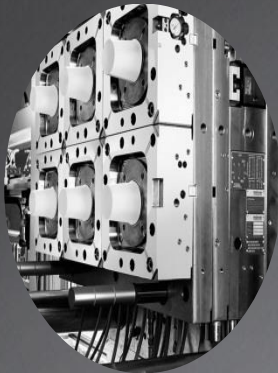




RPC – THE ESSENTIAL INGREDIENT

RPC Obrist Timisoara Secure Flip presentation



Sport Cap line investments



- Lid cap mould in closed position
- Smooth lip touch and no sharp edge
- Re-closable with a single click, ensuring the full closure
- Cap in compliance with the EN 71-1 & BSDA standard
- Organo PE spout / PP cover translucent
- 3 components
- Drop T/E band
- Opening at 180°, double hinge
- Snap back, stable position
- Suitable for aseptic filling
- Drainage system
- Without valve, valve in option
- Sustainable TE band (lid)
- High level of sealing > 3 bars
- One hand opening

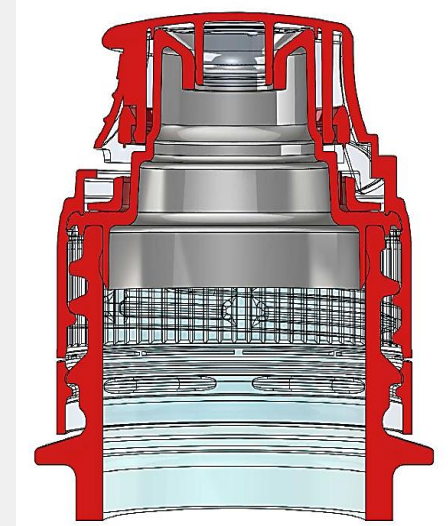
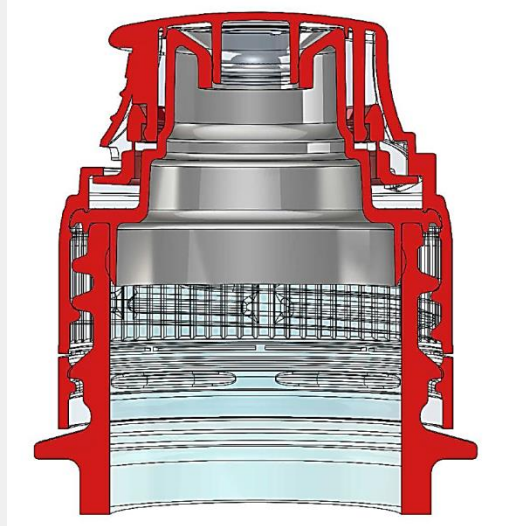
Secure flip 28 mm 1881



- Automatic TE at the opening
- Color change effect TE band
- GCS Patent

Secure flip 28 mm 1881

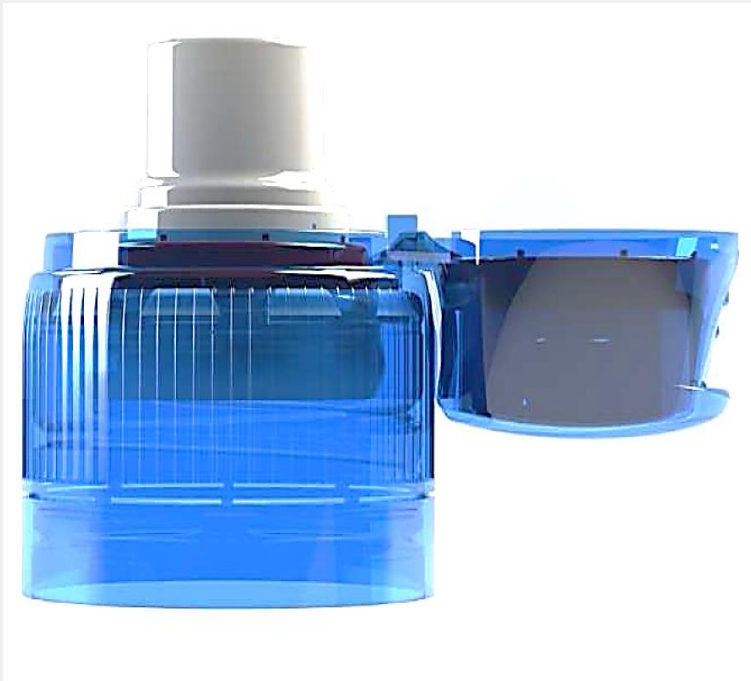
KEYS FEATURES => TE DROP BAND



- None loosable plastic part thrown away => GREEN

Secure flip 28 mm 1881

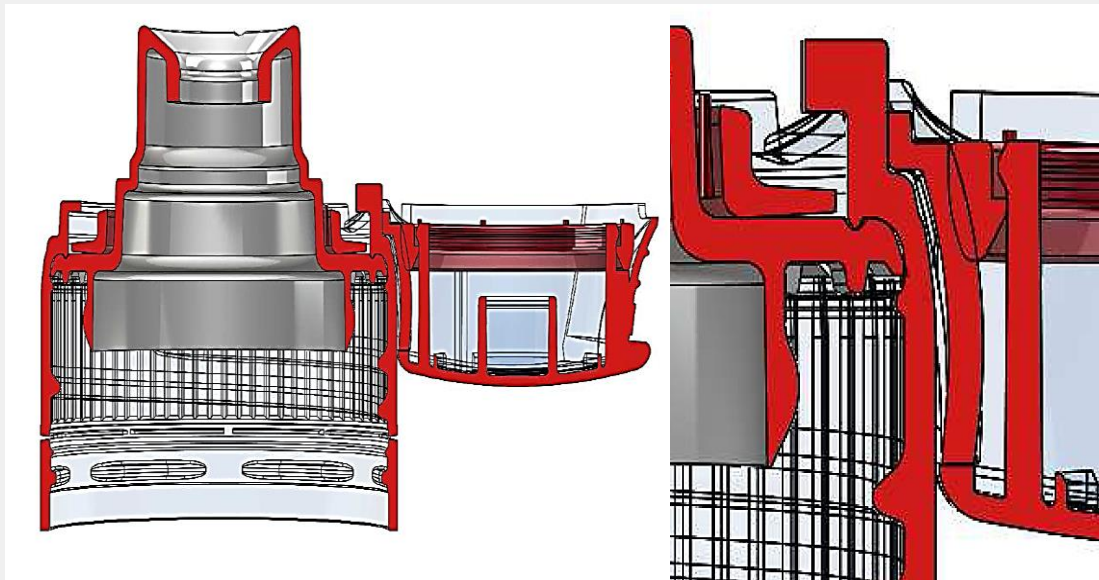
KEYS FEATURES => HINGE



- Lid cap opening at 180°
- Double hinge, better cinematic
- GCS Patent

Secure flip 28 mm 1881

KEYS FEATURES => HINGE



- Opened position stable at 180°
- Snap back effect
- GCS Patent

Quality system

ISO 9001:2015

ISO 14001:2015

FSSC 22000:2013

ISO 22000:2005

OHSAS 18001:2007

